

Advanced • TV™ 7 Series

AT7250-1 ATSC DIGITAL TRANSMITTER



OFFERING INDUSTRY-LEADING BROADCAST SOLUTIONS—EMPOWERING BROADCASTERS TO DO MORE WITH LESS.



FAST FORWARD TO DIGITAL WITH LINEAR PERFORMANCE

LINEAR has a complete range of cost-effective, high performance flash-cut exciter and transmitter solutions to get you on the air fast—or allow you to upgrade a current digital operation.

LINEAR hardware and software provides best-in-class performance. Proprietary digital pre-correction algorithms for non-linearity and equalization on passive components set us apart from the competition—along with our low cost of entry into the digital world.

LINEAR is a leading manufacturer of digital exciters and transmitters with state-of-the-art designs and world-class quality manufacturing.

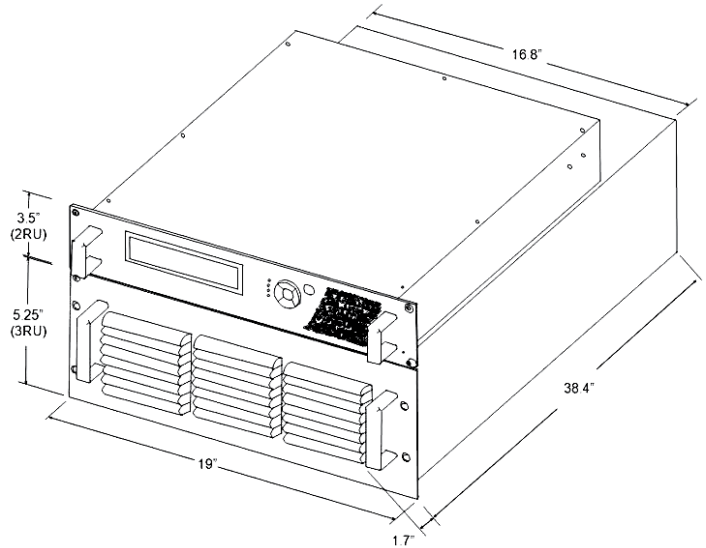
Not just digital. Better digital.™

Contact us today for more information.

AT7250-1 ATSC DIGITAL TRANSMITTER

FEATURES

- ▲ 250 W RF Output
- ▲ Automatic "one-click" linear and non linear pre-correction
- ▲ 4 line x 40 column digital display
- ▲ PLL synthesized oscillator from a 10 MHz OCXO or by an external 10 MHz reference (for example: GPS)
- ▲ Front panel error indication, current and past alarms



TECHNICAL SPECIFICATIONS

Electrical

| | |
|-----------------|------------------------------|
| RF Power Output | 250 W - N Connector |
| Mains | 208 or 240 - 2 wire + Ground |
| Consumption | 1335 W |

Signal Input

| | |
|---------------------------|-----------------------|
| Transport Stream Input | SMPTE310M or ASI |
| Input Data Rate | 19.39 Mbps |
| External Reference Signal | 10 MHz. (5dBm +/-3dB) |
| Input Connector | 75 (BNC) |
| Reference Input Connector | 50 (BNC) |

RF

| | |
|---------------------------|---|
| Modulation Mode | 8 VSB All digital Complex IF Modulation |
| Channel Bandwidth | 6 MHz |
| Test Signal | PRBS (Pseudo Random Bit Sequence) |
| Frequency Range | UHF Ch 14 - 69 |
| Frequency Step | 1 Hz |
| Symbol Rate | 10.76 MHz |
| Digital/Analog Converter | 16 Bit |
| Non-linear pre-correction | Included |
| Linear pre-correction | Included |
| Spurious and harmonics | < -80dBc, FCC 47 Part 74 |
| MER | ≥38 dB |

Communication

USB

Mechanical

| | |
|------------|----------------------------|
| Cooling | Forced Air |
| Dimensions | 5 RU (H) 19" (W) 38.4" (D) |
| Weight | 111 LBS |

APPLICATIONS

- ▲ LPTV Transmitter (External Mask Filter required)
- ▲ LPTV Translator (External Receiver / Decoder and Mask Filter required)
- ▲ OEM Flash Cut

OPTIONS

- ▲ Mask Filter
- ▲ Translator option (Receiver/Decoder)
- ▲ 19" Rack cabinet



Linear Industries, Inc. 2531 Technology Dr., Suite 310 ▲ Elgin, IL 60124, USA ▲ 1.847.428.5793 ▲ www.linear-tv.com